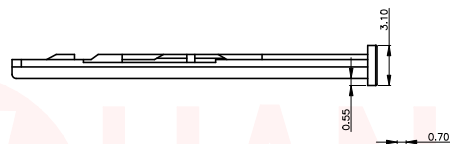
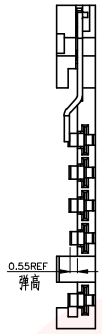
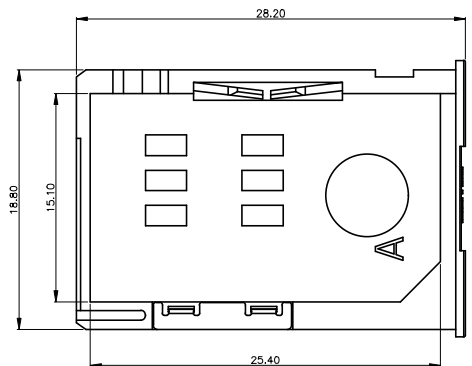
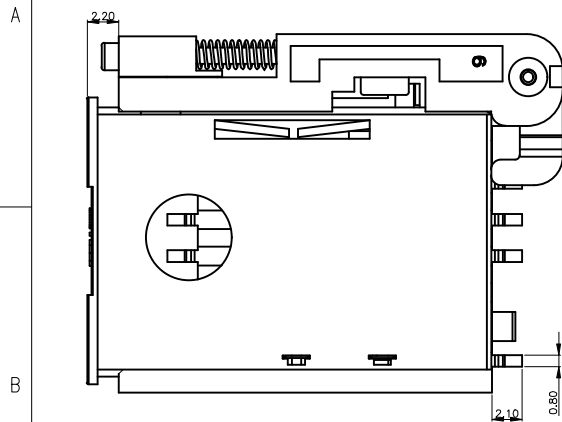
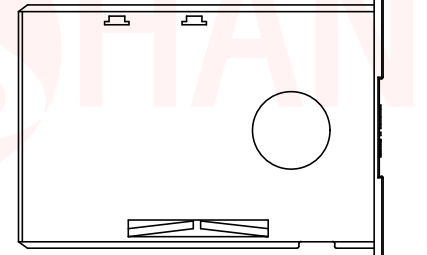
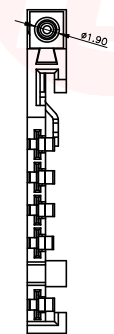
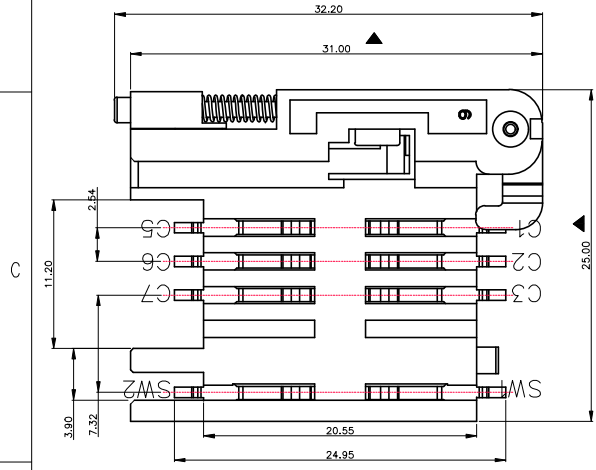
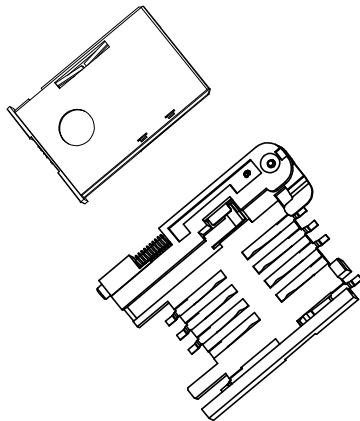




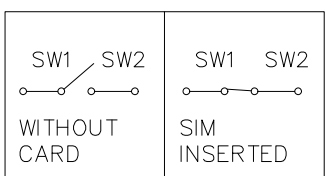
REV.	ECN NO OR DESCRIPTION	REVISED	DATE



PIN NO.	PIN NAME
C1	Supply Voltage Vcc
C2	Reset (RST)
C3	Clock (CLK)
C4	N/A
C5	Ground
C6	Programming Voltage Vpp
C7	I/O
C8	N/A



RECOMMENDED PCB LAYOUT TOP VIEW (TOLERANCE:±0.05)  
RECOMMENDED METAL MASK T=0.12MM

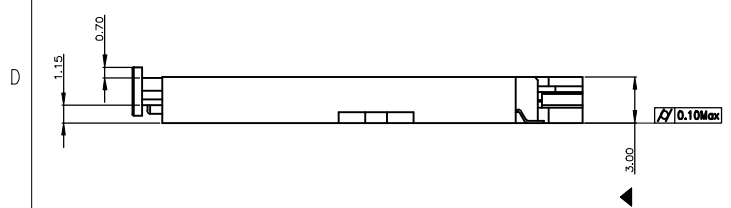


**Specification**

**MATERIAL:**  
Insulator: High Temperature Thermoplastic, UL 94V-0.  
(塑胶: 黑色 LCP, 防火等级 UL 94V-0)  
Contact: Copper Alloy(铜) T=0.15mm  
盖子卡托: PA

**PLATING:**  
Contact: Plated 50u" Ni Overall Contact Au 3U, pad TIN  
(端子: 镀底50u, 接触点3u, 焊点镀50u最少)

**Electrical:**  
Current Rating : 2Amps.max(额定电流: 2A最大)  
Voltage Rating : 5V AC/DC(额定电压: 5V AC/DC)  
Ambient Temperature Range : -20°C~+80°C(工作温度: -20度到+60度)  
Storage Temperature Range : -20°C~+80°C(工作环境: -20度到+80度)  
Ambient Humidity Range : 95% R.H. Max.(上锡效果: 95%以上)  
Contact Resistance: 100m max.(端子接触电阻: 100m 最大)  
Insulation Resistance: 1000M min./500VDC(绝缘阻抗: 1000兆欧最小)  
产品耐温温度: 260度  
Mating Cycles: 5000Min Insertions(寿命: 5000次)



UNLESS OTHERWISE SPECIFIED TOLERANCES		东莞市汉博电子科技有限公司 DONGGUAN HANBO TECHNOLOGY CO., LTD			
DECIMALS:	ANGLES:	TITLE	SIM 3.0H 卡托式 PUSH 带卡套		
X : ±0.5	X : ±2°	DWN	xiong	SIM-212	
X.X : ±0.20	X.X : ±1°	CHKD	lee	SCALE: 1:1	UNIT: mm
X.XX : ±0.10		APVD	wang	SIZE: A4	SHEET: 10F 1
		REV: A4			
CUSTOMER COPY					