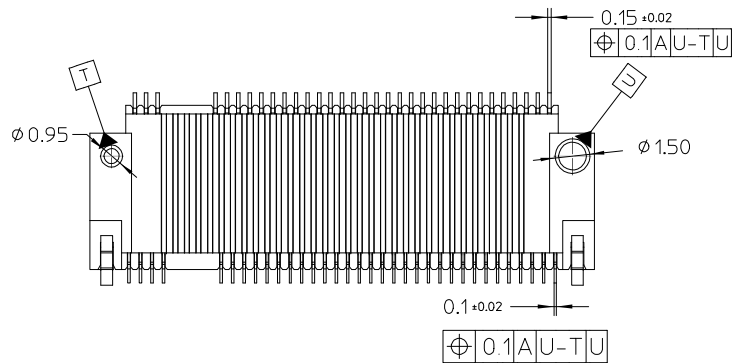
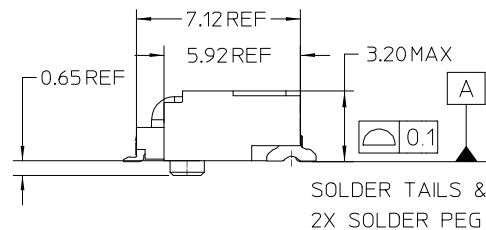
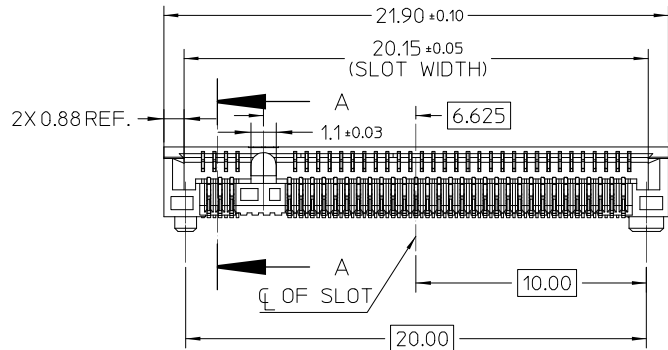
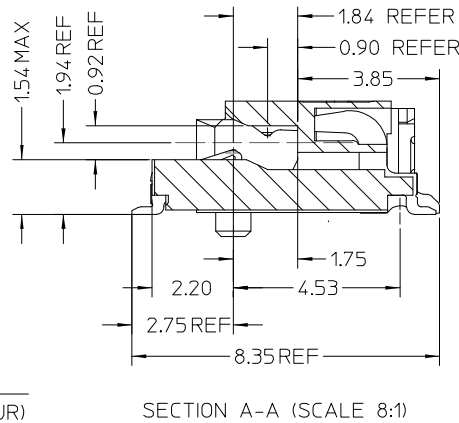
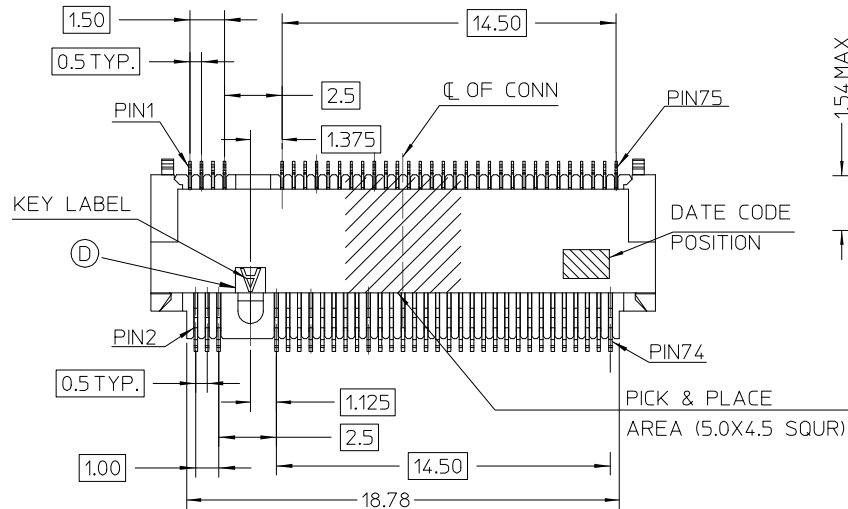




REV.	ECN NO OR DESCRIPTION	REVISED	DATE



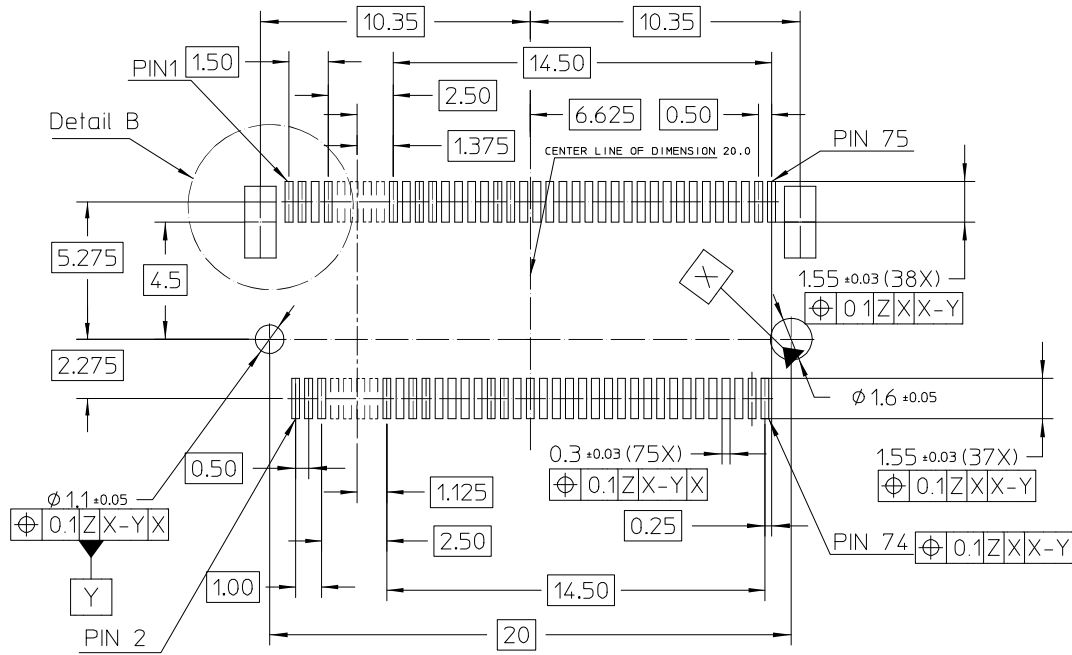
NOTES:

- MATERIALS:
HOUSING: HIGH TEMPERATURE THERMOPLASTIC UL94V-0,
COLOR: BLACK
TERMINAL: COPPER ALLOY
FITTING NAIL: METAL ALLOY
- PLATE:
TERMINAL:
CONTACT AREA: GOLD PLATING SEE TABLE LIST
SOLDER TAIL: GOLD FLASH.
UNDER PLATING: 1-3 MICROMETER NICKEL PLATING OVERALL
FITTING NAIL:
2.0 MICROMETER MIN MATTE TIN OVER 1.27 MICROMETER MIN NICKEL OVERALL.
- DATE CODE FORMAT: YY MM DD(YY:YEAR MM:MONTH DD:DATE)
THE LOCATION CAN BE ADJUSTED WHEN NEED;
- PRODUCT SPECIFICATION IS REFERED TO PS-80148-001
- PACKAGE SPECIFICATION : SEE TABLE
- MODULE SPECIFICATION IS REFER TO M.2 SPEC

UNLESS OTHERWISE SPECIFIED TOLERANCES		东莞市汉博电子科技有限公司 DONGGUAN HANBO TECHNOLOGY CO., LTD		
DECIMALS:	ANGLES:	TITLE M.2 CONNECTOR STANDARD TYPE0.50MMPITCH 67 CIRCUITS 3.2H		
X :±0.35	X :±2°	DWN	xiong	PART NO. PCI-E-P67H32-M2-A
X.X :±0.25	X.X :±1°	CHKD	lee	SCALE:1:1 UNIT: mm
X.XX :±0.15		APVD	wang	SIZE: A4 SHEET:1OF 1 REV: A4
CUSTOMER COPY				

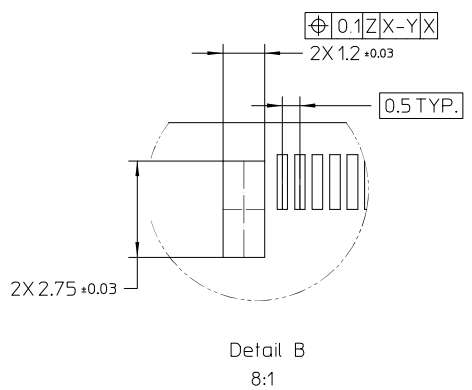


REV.	ECN NO OR DESCRIPTION	REVISED	DATE



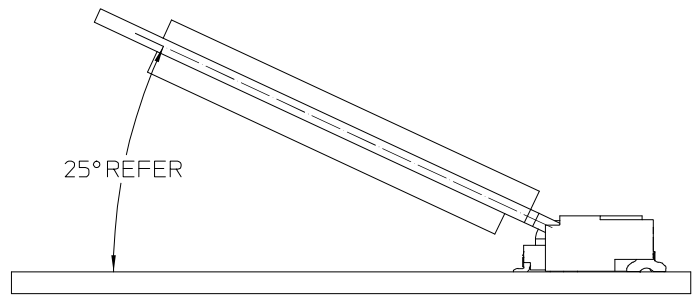
RECOMMENDED NGFF MINI CARD MOUNTING TYPE
 DATUM Z: PCB SOLDER SURFACE
 front1

5:1



Detail B
 8:1

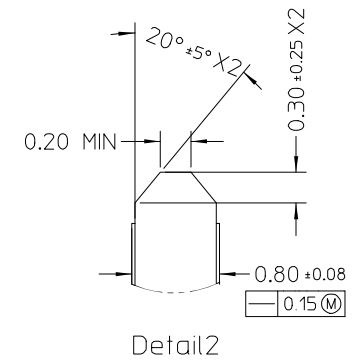
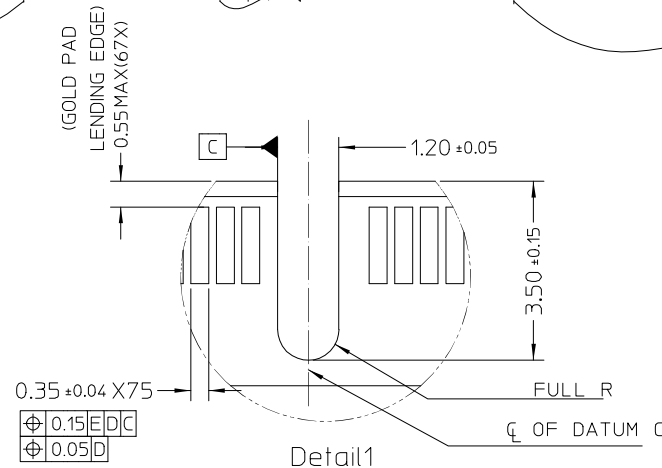
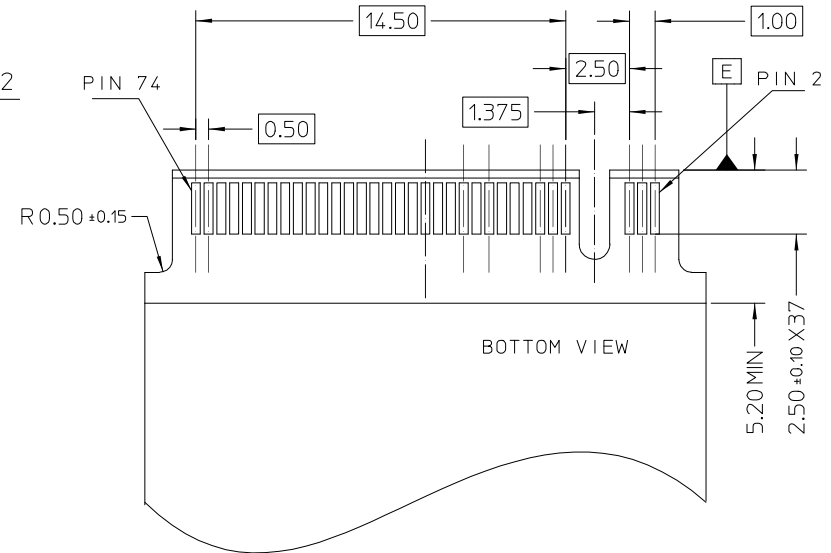
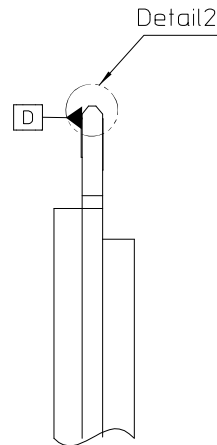
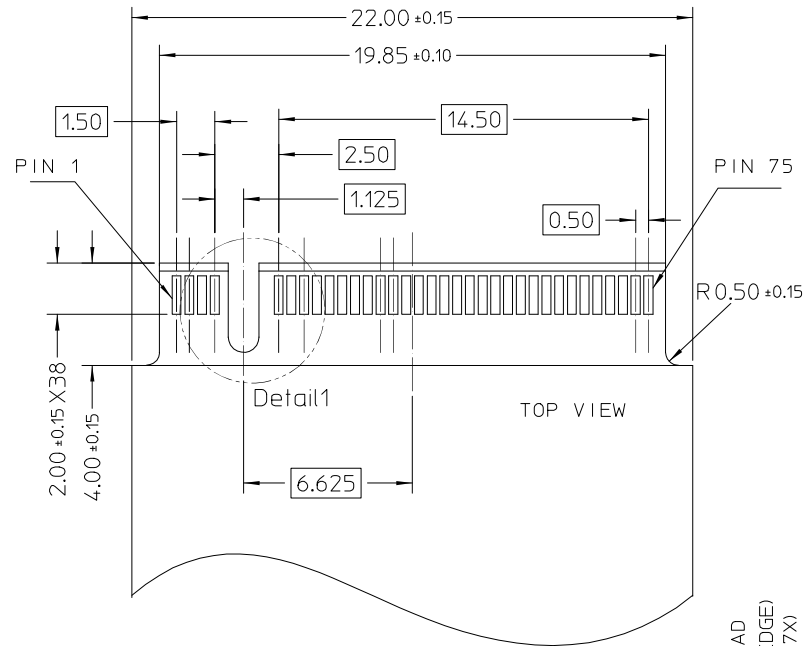
PART NUMBER	PACKAGE	REMARK
80148-322*	PK-80148-001	*: CONTACT AREA PLATING SPECIFICATION 1: GOLD FLASH
80148-324*	PK-80148-002	2: GOLD PLATED 0.127 MICROMETER/5 MICROINCH
80148-328*		3: GOLD PLATED 0.254 MICROMETER/10 MICROINCH 4: GOLD PLATED 0.381 MICROMETER/15 MICROINCH 5: GOLD PLATED 0.762 MICROMETER/30 MICROINCH



UNLESS OTHERWISE SPECIFIED TOLERANCES		东莞市汉博电子科技有限公司 DONGGUAN HANBO TECHNOLOGY CO., LTD		
DECIMALS:	ANGLES:	TITLE	M.2 CONNECTOR STANDARD TYPE0.50MMPITCH 67 CIRCUITS 3.2H	
X :±0.35	X :±2°	DWN	xiong	PART NO. PCI-E-P67H32-M2-A
X.X :±0.25	X.X :±1°	CHKD	lee	SCALE:1:1 UNIT: mm
X.XX :±0.15		APVD	wang	SIZE: A4 SHEET:1OF 1 REV: A4
CUSTOMER COPY				



REV.	ECN NO OR DESCRIPTION	REVISED	DATE



⊕ 0.15 EDC
⊕ 0.05 D

0.15

UNLESS OTHERWISE SPECIFIED TOLERANCES		东莞市汉博电子科技有限公司 DONGGUAN HANBO TECHNOLOGY CO., LTD	
DECIMALS:	ANGLES:	TITLE	M.2 CONNECTOR STANDARD TYPE 0.50MM PITCH 67 CIRCUITS 3.2H
X : ±0.35	X : ±2°	DWN	xiong PART NO. PCI-E-P67H32-M2-A
X.X : ±0.25	X.X : ±1°	CHKD	lee SCALE: 1:1 UNIT: mm
X.XX : ±0.15		APVD	wang SIZE: A4 SHEET: 1 OF 1 REV: A4
CUSTOMER COPY			