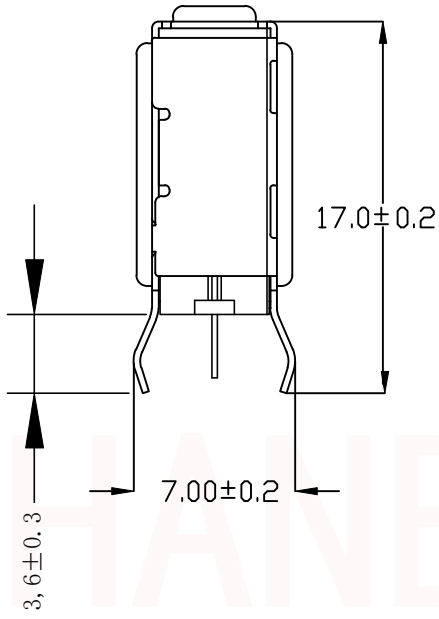
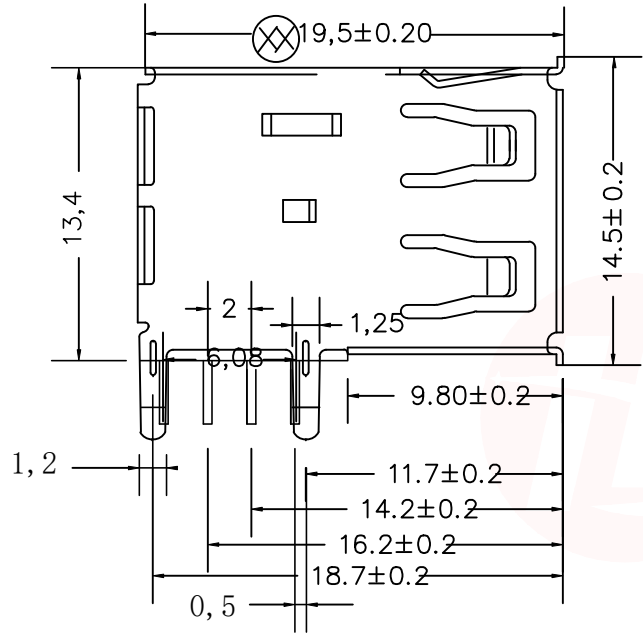




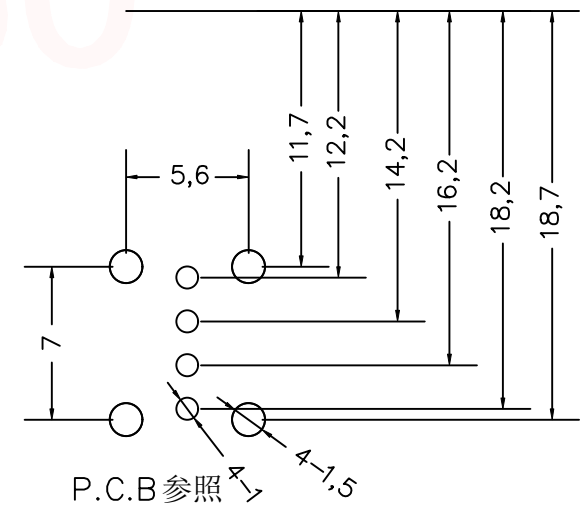
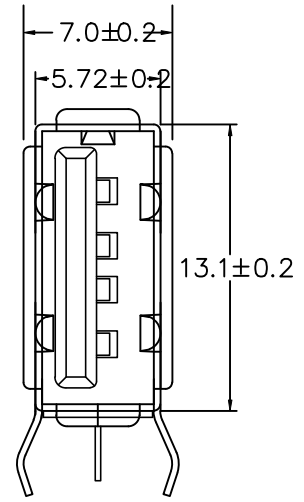
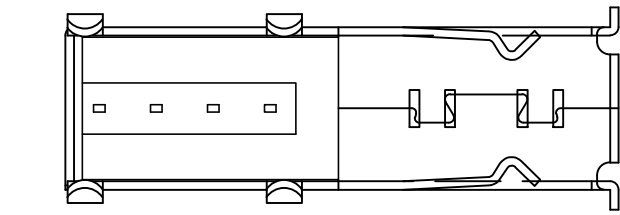
| REV. | ECN NO OR DESCRIPTION | REVISED | DATE |
|------|-----------------------|---------|------|
| | | | |
| | | | |



NOTES:

- MATERIAL SPECIFICATION
 - INSULATION MATERIAL THERMOPLASTIC.
 - SHELL: COPPER ALLOY/SPCC, T: 0.30mm
PLATING: NICKEL
 - TERMINAL: COPPER ALLOY, T: 0.25mm
PLATING: GOLD/TIN PLATED.
- ELECTRICAL CHARACTERISTIC:
 - INSULATION RESISTANCE: 1000MΩ MIN.
 - CONTACT RESISTANCE: 30mΩ MAX.
 - WITHSTANDING VOLTAGE: 500V AC.
- MECHANICAL CHARACTERISTICS:
 - INSERTION FORCE: 3.57Kgf MAX.
 - EXTRACTION FORCE: 1.02Kgf MIN.

ORDERING INFORMATION



| | | | | | |
|---------------------------------------|-----------|---|----------------|-----------------------|--------------|
| UNLESS OTHERWISE SPECIFIED TOLERANCES | | 东莞市汉博电子科技有限公司 DONGGUAN HANBO TECHNOLOGY CO., LTD | | | |
| DECIMALS: | ANGLES: | TITLE | USB 侧插长体19.6卷边 | | |
| X : ±0.30 | X : ±2° | DWN | xiong | PART NO. USB-U263-BJS | |
| X.X : ±0.20 | X.X : ±1° | CHKD | lee | SCALE: 1:1 | UNIT: mm |
| X.XX : ±0.10 | | APVD | wang | SIZE: A4 | SHEET: 10F 1 |
| | | REV: A4 | | | |
| CUSTOMER COPY | | | | | |