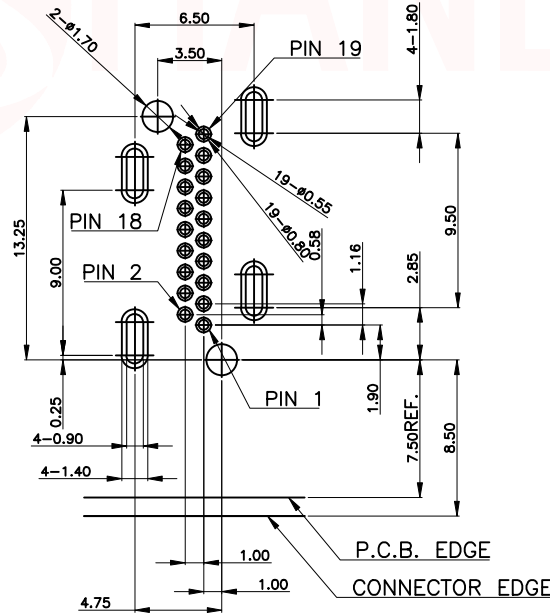
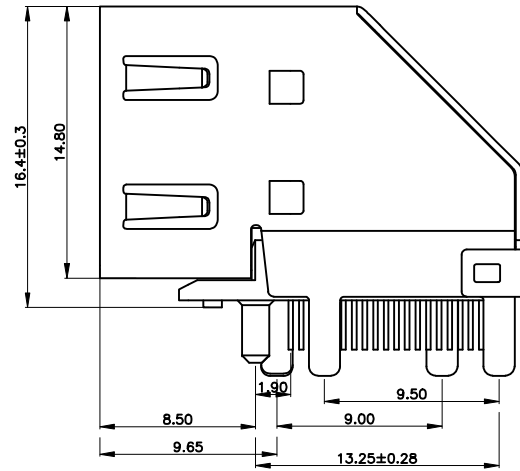
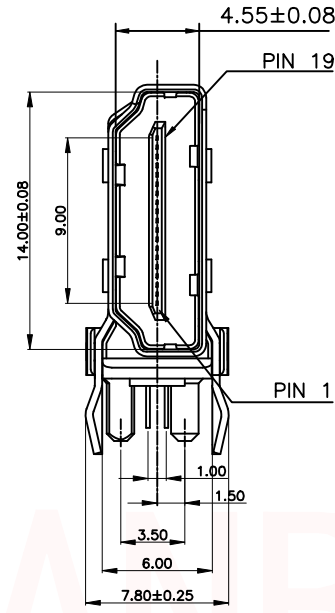
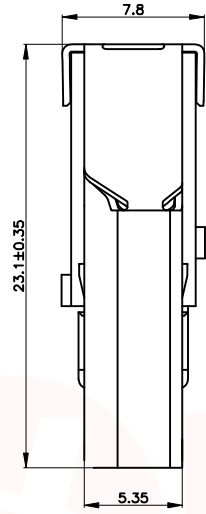
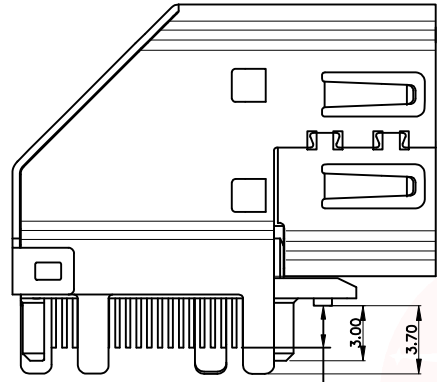




REV.	ECN NO OR DESCRIPTION	REVISED	DATE



RECOMMENDED PCB LAYOUT (TOP VIEW)
TOLERANCE: ±0.05mm

NOTE:

1.Material:

- 1.1 Terminal: Brass C2680.
- 1.2 Shell : Brass C2680
- 1.3 Housing : LCP+30%.G.F.(UL94-0),Black.

2.Plating:

- 2.1 Terminal: Au plated on contact area
Sn plated on solder tail area,
both over 30u" min. Ni underplated overall.
- 2.2 Shell : 70u"min. Ni overall.

3.Specifications:

- 3.1 Current Rating: 0.5A
- 3.2 Initial contact resistance excluding conductor resistance: 30mΩ
- 3.3 Dielectric withstanding voltage:500V AC PER minute
- 3.4 Insulation Resistance: 100MΩ MIN DC 500V
- 3.5 Operating temperature:-25°C ~ +85°C.

UNLESS OTHERWISE SPECIFIED TOLERANCES

DECIMALS:	ANGLES:
X :±0.35	X :±2°
X.X :±0.25	X.X :±1°
X.XX :±0.15	



东莞市汉博电子科技有限公司
DONGGUAN HANBO TECHNOLOGY CO., LTD

TITLE	HDMI A母正向侧立式DIP 脚长2.2		
DWN	xiong	PART NO. HDMI-213	
CHKD	lee	SCALE:1:1	UNIT: mm
APVD	wang	SIZE: A4	SHEET:10F 1
			REV: A4

CUSTOMER COPY